

HEScoTM INC.

INDUSTRIES, INCORPORATED

513-D Ligon Drive . Nashville . TN . 37204 . Phone (615) 242-7600 . Fax (615) 255-4405

LOW VOLUME WATER TO WATER INDIRECT FIRED WATER HEATER SERIES - HWI



STANDARD EQUIPMENT:

- Silica cement lined tank
- Copper-silicone tank openings
- 150 PSI design pressure
- Copper Heating Coil
- Immersion Thermostat 120V
- 2" Thick foam insulation
- High impact composite jacket
- ASME Temperature & Pressure relief valve
- 7-Year tank & coil non-prorated warranty

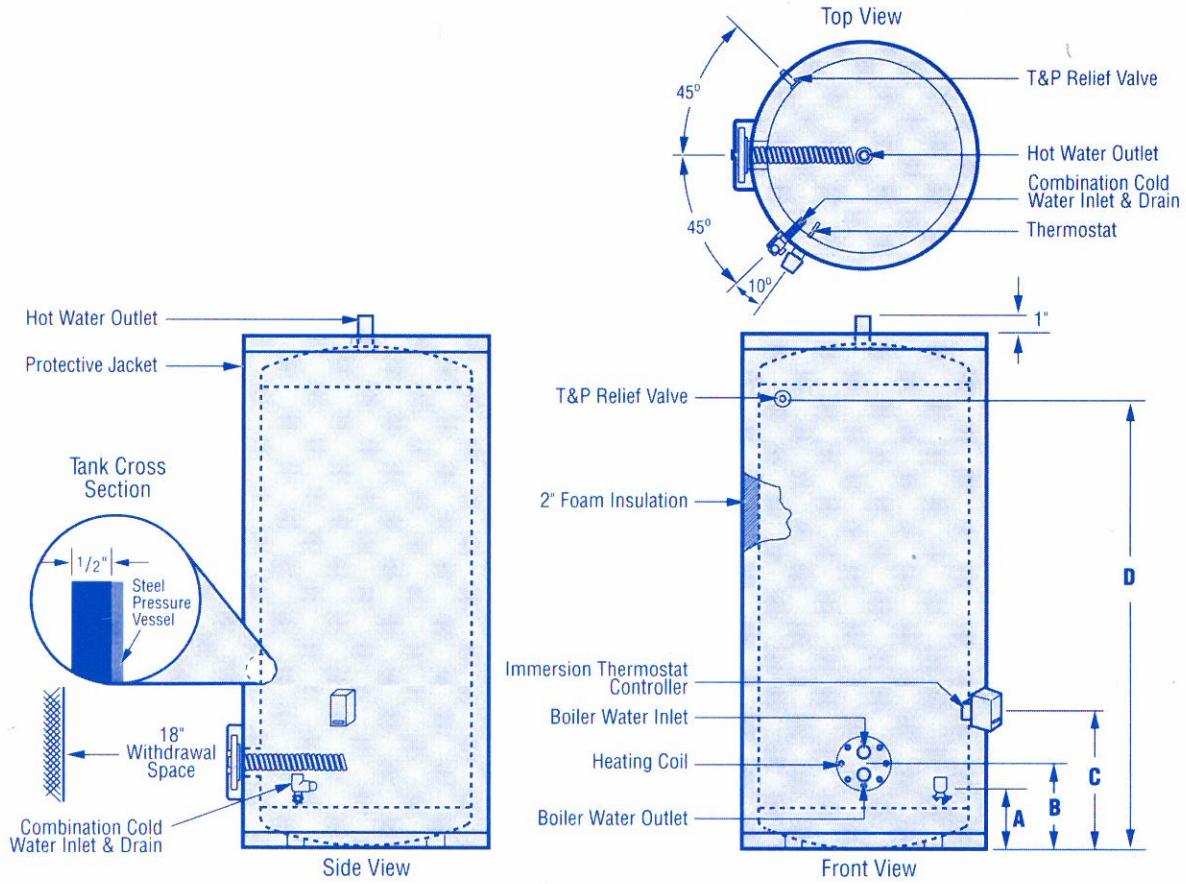
OPTIONAL EQUIPMENT:

- Electric/Hot water controls
- Double wall heating coil
- 1 1/2" Male water connections
- Integrally welded seismic attachment points
- Intra tank circulating pump

The Hesco model HWI water heater utilizes an existing supply of boiler water to heat domestic potable water. The storage tank is fitted with a specially designed, high efficiency heating coil which transfers heat from the boiler water to the domestic water in the tank. It's advanced

design has no moving parts and does not require any electrical connections, while the high quality materials used in construction of its' tank and heating coil ensures long service life. When you specify and install a Hesco HWI water heater, you will have confidence in knowing that the owner will be provided with a quality product that is a trouble-free and long lasting source for hot water.

OUTLINE DIMENSIONS



Base Model Number	Storage Capacity (Gallons)	Heating Coil Size (Sq. Ft.)	First Hour Rating * (Gallons)	Dimensions (Inches)						Inlet/Outlet Size (Inches)	Shipping Weight (lbs.)
				Overall Diameter	Overall Height	Inlet "A"	Coil "B"	Thermostat "C"	T & P Valve "D"		
HWI 30-15	30	15	128	20	40.5	7	10	13	34	3/4	180
HWI 40-15	40	15	139	20	58.75	7	10	13	51	3/4	230
HWI 65-20	65	20	165	26	48	8	10	14	40	3/4	310
HWI 80-20	80	20	182	26	58	8	10	14	51	3/4	340
HWI 120-20	119	20	188	28	69.25	8	11	17	62	3/4	420
HWI 120-40	119	(2) 20	306	28	69.25	8	11	17	62	1-1/2	435
HWI 40-20	40	20	152	26	33	7	8	14	24	3/4	235

* First hour ratings based on a 80°F rise (40-120) when supplied with 6 GPM of 200°F boiler water.

SAMPLE MODEL NUMBER:

