

HESco™

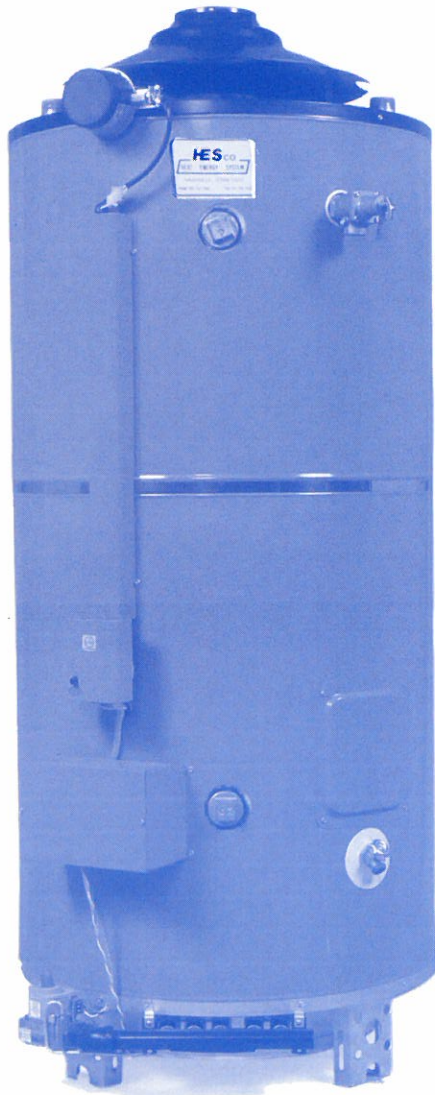
INDUSTRIES, INCORPORATED

HEAT ENERGY SYSTEMS

ATMOSPHERIC GAS WATER HEATERS

AUTOMATIC FLUE DAMPER- HD SERIES

COMMERCIAL - INSTITUTIONAL - INDUSTRIAL



GLASSLINED

The interior tank surfaces are coated with a baked on high silica porcelainized/glasslining for protection against rust and corrosion.

STANDARD EQUIPMENT

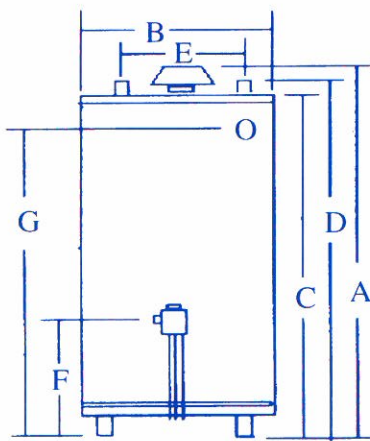
- Glasslined Tank
- 150 PSI Working Pressure
- Anode Rods
- Operating & High Limit Thermostat
- Electronic Spark Ignition W/24 Volt Control Circuit (*HD Models Only*)
- Fiberglass Insulation
- Baked Enameled Steel Jacket
- Drain Valve
- Built-in Flue Collector
- Draft Diverter
- AGA Design Certified
- ASME Temperature and Pressure Relief Valve
- Handhole Cleanout
- Flue Damper (*HD Models Only*)
- Meets ASHRAE 90A-1980 (1982) Recovery Efficiency and Standby Heat Loss Requirements
- Meets ANSI-Z21.10.3

OPTIONAL EQUIPMENT

- ASME Constructed & Stamped
- National Board Stamping
- Gas Safety Alarm
- Power Venter
- 5 Year Commercial Tank Warranty

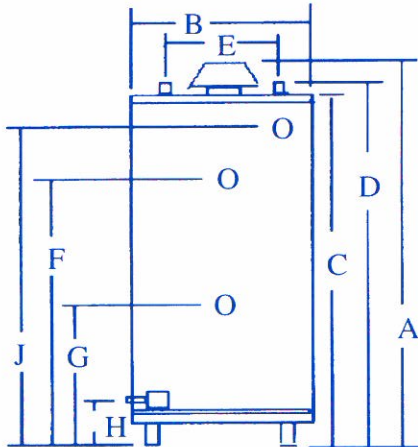
SPECIFICATIONS AND DIMENSIONS

TOP
WATER CONN.
Non-Flue Damper



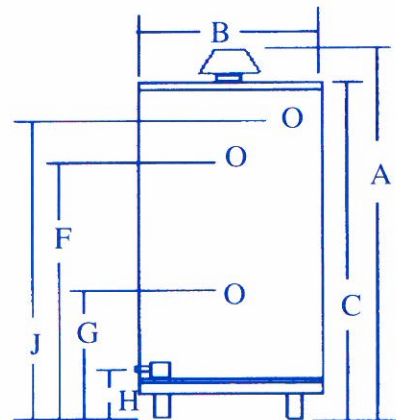
H-75-76-AS
H-100-83-AS

TOP - FRONT
& REAR
WATER CONN.
Flue Damper



**ALL OTHER
HD MODELS**

FRONT & REAR
WATER CONN.
Flue Damper



HD-75-365-AS
HD-75-399-AS
HD-80-512-AS

LIGHT DUTY STORAGE MODELS: STANDING PILOT

Model Number	G A L S	BTU INPUT NAT. GAS	REC. 100° RISE GPH	Connections In Inches				Dimensions Shown In Inches						
				VENT	TOP WTR	GAS	T&P	A	B	C	D	E	F	G
H-75-76-AS	75	76,100	74	4	1 1/2	1/2	3/4	66 3/4	26 1/4	64 1/2	66 3/4	16	18	56 1/2
H-100-83-AS	100	83,000	81	4	1 1/2	1/2	3/4	70 3/4	28	68 1/8	77 5/8	16	18	59 1/2

HEAVY DUTY SPARK IGNITION/AUTOMATIC FLUE DAMPER MODELS (1" TOP AND 2" REAR WATER CONNECTIONS):**

Model Number	G A L S	BTU INPUT NAT. GAS	REC. 100° RISE GPH	Connections In Inches					Dimensions Shown In Inches									
				VENT	TOP WTR	FRONT REAR WTR	GAS	T&P	A	B	C	D	E	F	G	H	J	
HD-80-165-AS	80	165,500	168	6	1 1/2	2	1/2	3/4	75 1/4	26 1/4	67 1/2	70	19 5/8	55 1/4	22 3/4	4 3/4	57 1/8	
HD-80-180-AS	80	180,000	177	6	1 1/2	2	1/2	3/4	75 1/4	26 1/4	67 1/2	70	19 5/8	55 1/4	22 3/4	4 3/4	57 1/8	
HD-80-199-AS	80	199,900	194	6	1 1/2	2	1/2	3/4	68 1/4	28 1/4	60 1/2	63 5/8	21 1/4	52	18 3/4	4 3/4	53 5/8	
HD-100-199-AS	100	199,900	194	6	1 1/2	2	1/2	3/4	73 5/8	30 1/4	65 5/8	67 5/8	23 5/8	57 1/2	20	4 3/4	58 7/8	
HD-100T-199-AS	100	199,900	194	6	1 1/2	2	1/2	3/4	78 1/4	28 1/4	70 1/2	73 5/8	21 1/4	62	18 3/4	4 3/4	63 5/8	
HD-100-250-AS	100	250,500	242	6	1 1/2	2	1/2	1	73 5/8	30 1/4	65 5/8	67 5/8	23 5/8	57 1/2	20	4 3/4	58 7/8	
HD-100-270-AS	100	270,000	255	6	1 1/2	2	1/2	1	73 5/8	30 1/4	65 5/8	67 5/8	23 5/8	57 1/2	20	4 3/4	58 7/8	
HD-75-365-AS	75	365,000	358	8	xxx	2	1	1	75 3/4	30 1/4	66 1/4	xxx	xxx	57	19 1/4	4 3/4	58 1/4	
HD-75-399-AS	75	399,900	393	8	xxx	2	1	1	75 3/4	30 1/4	66 1/4	xxx	xxx	57	19 1/4	4 3/4	58 1/4	
HD-80-512-AS	80	512,000	496	10	xxx	2	1	1	75 1/4	30 1/4	66 1/4	xxx	xxx	57	19 1/4	4 3/4	58 1/4	

NOTE: *For ASME Construction Add "ASME" To The Model Number. (Available on HD-100-199-AS and larger)
**For Propane (LP) Gas Add Suffix "LP"

Due to continuous product improvements, Hesco reserves the right to change dimensions shown at any time.

Recovery and first-hour delivery rates shown in the charts are based on thermal efficiencies ranging up to 80%. Recovery rates shown on water heater rating plates are based on 75% thermal efficiency, according to ANSI Z21.10.3 requirements.